

THE TOOLS TO MEET YOUR MANUFACTURING NEEDS!



# PRODUCT LINE CARD



## ANGLE HEADS

**EQUIPPED WITH GROUND GEARS AND COLLET SHAFTS!**

- Vernier scales help to orient the cutting tool location (0 - 360°).
- With our collet seat recessed into the body of the angle head, rigidity is optimized while maintaining a compact design.
- Our angle heads are assembled with high precision, P4 quality spindle bearings that are stabilized for high speeds up to 15,000 RPM and high torques up to 110 ft-lbs.

## SK COLLET CHUCKS

**HOLDERS THAT ARE LEAN, TOUGH & EFFICIENT!**

- Narrow body design accesses tight spots.
- Our steep 8° collet seats deeper in the body of the holder, providing 2x more gripping power than traditional 16° ER collets.
- Nikken guarantees a 3 micron runout tolerance for their “on size” fractional and metric size precision collets due to Nikken’s special heat treatment, grinding and custom slotting process.



## MILLING CHUCKS

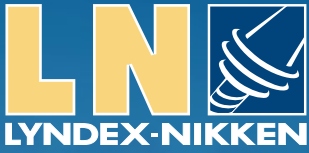
**THE MOST RELIABLE AND POWERFUL TOOLHOLDER!**



- Symmetrical design—pre-balanced body and nut allow the milling chuck to operate beyond 20,000 RPM.
- Outside bearing nut mechanically induces tight taper of the milling chuck to evenly collapse onto the cutting shank for high precision T.I.R.
- 6 angled coolant slots are standard, providing high pressure and high volume of coolant directed toward the periphery of the cutting tool.



THE TOOLS TO MEET YOUR MANUFACTURING NEEDS!



# PRODUCT LINE CARD



## SHRINK FIT SYSTEMS

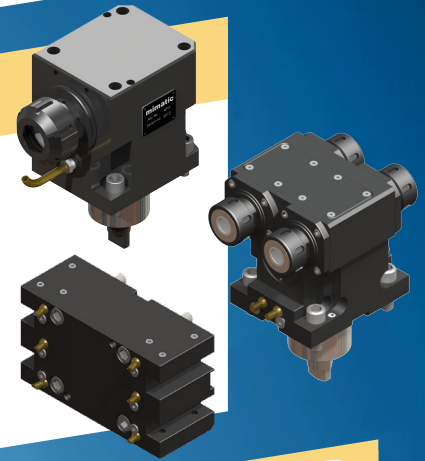
**THE INDUSTRY'S HIGHEST QUALITY SHRINK FIT LINE!**

- Fastest shrinking time ranging from 2-7 seconds.
- Widest range available for a desktop unit 2-40mm (0.078" to 1.575").
- Can shrink most Cutting Tool materials from high speed steel to solid carbide.
- Special Shrink Fit machine and tool holder package available.

## LIVE & STATIC TOOLS

**TURN YOUR LATHE INTO A MILLING MACHINE!**

- We offer both Live and Static Tools for a multitude of machines.
- Dual radial and thrust bearing design for added rigidity.
- Live and Static tools offered in coolant through, adjustable, and multi-output.



## PRESETTERS

**THERMAL STABILITY COUPLED WITH HIGH PRECISION!**

- Precision ground granite is used for the base and column. This provides the utmost thermal stability for high repeatability and reproducibility during tool measuring and inspecting applications.
- Interchangeable spindles eliminate the need for adapters which can introduce additional errors.
- All units come with fifty of the most common post processors for today's CNC controls.

